

# Wireless Transmitter Absolute Pressure Model Series XYR 6000 STAW94L 0 to 500 psia 0 to 35 barA Specifications

34-XY-03-23 November 2010



## Introduction

Building upon the tremendously successful ST 3000 series transmitter line; Honeywell brings simple, safe, and secure wireless technology to its measurement portfolio in the XYR 6000 Series Wireless Transmitters.

The XYR 6000 series measurements are part of the Honeywell OneWireless system and are ISA100.11a Compliant.

Measurement and information without wires! The XYR 6000 wireless transmitter series enable customers to obtain data and create information from remote and hazardous measurement locations without the need to run wires, where running wire is cost prohibitive and/or the measurement is in a hazardous location. Without wires, transmitters can be installed and operational in minutes, quickly providing information back to your system.

XYR 6000 wireless transmitters send information to an ISA100.11a compliant MESH infrastructure. Wireless Data Managers (WDM) provide the path to bring that information into Experion PKS or any other control system wirelessly via OPC client or Modbus-TCP.

Transmitter power is supplied by two "D" size lithium batteries with an expected lifetime of up to ten years. Transmitter range with the integral antenna is 1,000' (305 m) under ideal conditions.

The STAW series Absolute Pressure transmitters can be used in applications in which high accuracy in the vacuum range of pressure is needed. Typical applications include low-pressure measurement in vacuum distillation columns, where energy savings are directly proportional to the vacuum in the column.



Figure 1 — XYR6000 Absolute Pressure Transmitters

Implement the value of wireless technology today:

- Measure remote access points simply, safe and securely
- Obtain and utilize previously inaccessible information due to high wiring cost or hazardous locations.
- Easily meet Regulatory Requirements
- Improve process efficiency
- Enhance Flexibility to monitor applications:
  - that have no access to power
  - that are remote or difficult to reach
  - that may require frequent reconfiguration
  - where manual readings have been required previously.

## Specifications

### Operating Conditions

Parameter	Reference Condition (at zero static)		Rated Condition		Operative Limits		Transportation and Storage	
	°C	°F	°C	°F	°C	°F	°C	°F
<b>Ambient Temperature**</b>	25±1	77±2	-25 to 70	-13 to 158	-40 to 85	-40 to 185	-40 to 85	-40 to 185
<b>Ambient Temperature LCD Display visible range</b>	25±1	77±2	-40 to 85°C	-40 to 185°F				
<b>Meter Body Temperature STAW94L ***</b>	25±1	77±2	-25 to 70	-13 to 158	-40 to 80	-40 to 176	-40 to 85	-40 to 185
<b>Humidity % RH</b>	10 to 55		0 to 100		0 to 100		0 to 100	
<b>Vacuum Region - Minimum Pressure STAW94L</b>	Operate within specifications above 25 mmHgA (33 mbarA). Short term exposure (2 hours at 70°C/158°F) to full vacuum will not result in damage.							
<b>Maximum Allowable Working Pressure (MAWP)</b> (XYR6000 products are rated to Maximum Allowable Working Pressure)	STA94L = 750 psia, 52 barA Units can withstand overpressure of 1.5X MAWP without damage.							
<b>Vibration</b>	Maximum of 4g over 15 to 200Hz.							
<b>Shock</b>	Maximum of 40g.							
<b>Power</b>	Battery powered 3.6 V Lithium thionyl chloride (LiSOCl <sub>2</sub> ) batteries non rechargeable, size D							
	24 Vdc Wired Power (option) - For I.S. Application: 21 V to 25 Vdc Operated with MTL7728P+ barrier (252 Ohms Max. end to end resistance), Max input current 26mA. For Non I.S. application: 11 V to 30 Vdc Input range, Max input current 100mA.							

\*\* The Ambient Limits shown are for Ordinary Non-Hazardous locations only. Refer to the appropriate Control Drawing, FM/CSA, ATEX, or IECEx for the Ambient Limits when installed in Hazardous Locations.

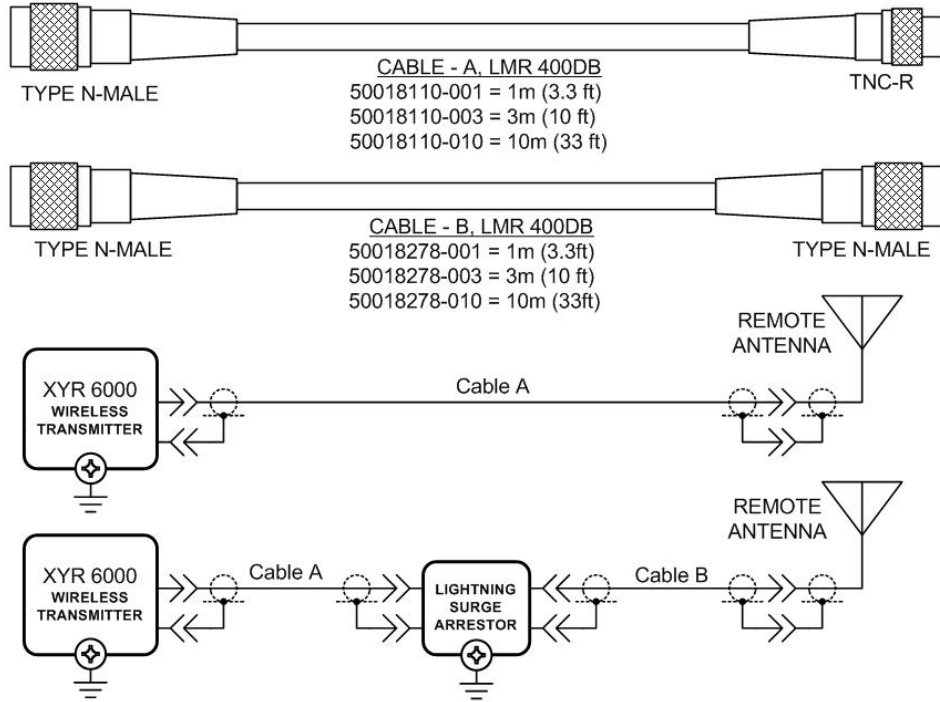
\*\*\*STA94L meter body maximum temperature specification is lower than maximum ambient specification

## Wireless Specifications

Parameter	Description
<b>Wireless Communication</b>	<p>2,400 to 2,483.5 MHz (2.4 GHz) Industrial, Scientific and Medical (ISM) band</p> <p>FHSS Selection – Frequency Hopping Spread Spectrum</p> <p>DSSS Selection – Discrete Sequential Spread Spectrum per FCC 15.247 / IEEE 802.15.4–2006</p> <p>ISA100.11a Compliant (2.4 GHz Direct Sequence Spread Spectrum 802.15.4 DSSS-FH)</p> <p>Every data packet transmitted in either direction is verified (CRC check) and acknowledged by the receiving device.</p> <p>USA – FCC Certified</p> <p>Canada – IC Certified</p> <p>European Union – RTTE/ETSI Conformity</p> <p>Japan – Ministry of Internal Affairs and Communications Certified (DSSS Selection only)</p>
<b>ISA100.11a RF Transmitter Power (Optional)</b>	<p>NA Selection – 125 mW (20.9 dBm) maximum transmit power not including antenna per FCC/IC, or 400 mW (26.0 dBm) maximum EIRP including antenna for USA and Canadian locations.</p> <p>EU Selection – 10 mW (10.0 dBm) maximum EIRP including antenna per RTTE/ETSI for EU locations.</p>
<b>FHSS RF Transmitter Power (Optional)</b>	<p>NA Selection – 125 mW (20.9 dBm) maximum transmit power not including antenna per FCC/IC, or 400 mW (26.0 dBm) maximum EIRP including antenna for USA and Canadian locations.</p> <p>EU Selection – 100 mW (20.0 dBm) maximum EIRP including antenna per RTTE/ETSI for EU locations.</p>
<b>DSSS RF Transmitter Power (Optional)</b>	<p>NA Selection – 125 mW (20.9 dBm) maximum transmit power not including antenna per FCC/IC, or 400 mW (26.0 dBm) maximum EIRP including antenna for USA and Canadian locations.</p> <p>EU Selection – 10 mW (10.0 dBm) maximum EIRP including antenna per RTTE/ETSI for EU locations.</p> <p>JP Selection – 12.14 dBm/MHz [32mW (15.14 dbm)] maximum EIRP including antenna for Japanese locations.</p>
<b>Data</b>	<p>PV Publish Cycle Time: Configurable as 1, 5, 10 or 30 seconds</p> <p>Rate: 250 Kbps</p>
<b>Antennas</b>	<p>Integral – 2 dBi omnidirectional monopole</p> <p>Integral – 4 dBi omnidirectional monopole</p> <p>Remote – 8 dBi omnidirectional monopole with up to 20 m cable and lightning surge arrester.</p> <p>Remote – 14 dBi directional parabolic with up to 20 m cable and lightning surge arrester.</p>
<b>Signal Range</b>	<p>Nominal 305 m (1,000 feet) between Field Transmitter and Infrastructure Unit (Multinode) or Gateway Unit when using 2 dBi Integral antenna with a clear line of sight.*</p> <p>Two XYR 6000 transmitters both having TX Power set to 16 dBm with a clear line of site nominal signal range is 150 m (490ft.)</p>
<b>Routing vs Non-Routing</b>	<p>Unit can be set as a Field Routing or non-Field Routing device; the number of routing devices is set by the system manager.</p> <p>Using the device as a routing device will impact battery life, the more messages routed through a device, the greater the impact on battery life.</p>

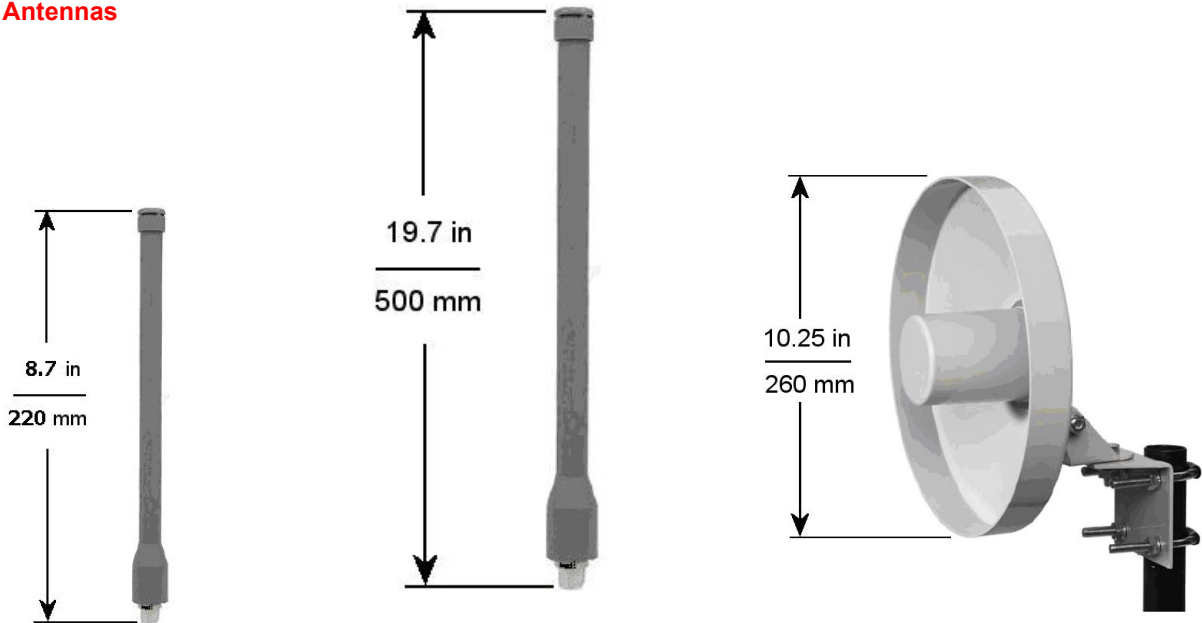
\* Actual range will vary depending on antennas, cables and site topography.

**Remote antenna cables**



CABLE PARAMETERS			LIGHTNING SURGE ARRESTOR PARAMETERS
CABLE A, B LENGTH	CAPACITANCE	INDUCTANCE	
1 m	78.4 pF	0.2 μH	CAPACITANCE = 1 pF INDUCTANCE = 10 nH
3 m	235.2 pF	0.6 μH	
10 m	784 pF	2.0 μH	

**Remote Antennas**



4 dBi Omnidirectional Antenna

8 dBi Omnidirectional Antenna

14 dBi Directional Antenna

**Performance under Rated Conditions\* - Model STAW94L (0 to 500 psia/35 barA)**

Parameter	Description
<b>Upper Range Limit</b> psia barA	500 35
<b>Minimum Span</b> psia barA	20 1.4
<b>Zero Suppression</b>	No limit except minimum span within 0 (zero) to +100% URL.
<b>Accuracy</b> (Reference – Includes combined effects of linearity, hysteresis, and repeatability) • Accuracy includes residual error after averaging successive readings.	±0.0625% of calibrated span or upper range value (URV), whichever is greater, terminal based. For URV below reference point (20 psia), accuracy equals: $\pm \left[ 0.0125 + 0.05 \left( \frac{20 \text{ psia}}{\text{span/ psia}} \right) \right] \text{ or } \pm \left[ 0.0125 + 0.05 \left( \frac{1.4 \text{ barA}}{\text{span/ barA}} \right) \right] \text{ in \% of span}$
<b>Zero Temperature Effect per 28°C (50°F)</b>	±0.15% of span. For URV below reference point (50 psia), effect equals: $\pm 0.15 \left( \frac{50 \text{ psia}}{\text{span/ psia}} \right) \text{ or } \pm 0.15 \left( \frac{3.5 \text{ barA}}{\text{span/ barA}} \right) \text{ in \% of span}$
<b>Combined Zero and Span Temperature Effect per 28°C (50°F)</b>	±0.225% of span. For URV below reference point (50 psia), effect equals: $\pm 0.075 + 0.15 \left( \frac{50 \text{ psia}}{\text{span/ psia}} \right) \text{ or } \pm 0.075 + 0.15 \left( \frac{3.5 \text{ barA}}{\text{span/ barA}} \right) \text{ in \% of span}$

\* Performance specifications are based on reference conditions of 25°C (77°F), 10 to 55% RH, and 316L Stainless Steel barrier diaphragm.

**Performance Under Rated Conditions – General**

Parameter	Description
<b>Lightning Surge Arrester (Remote antenna only)</b>	Frequency range: 0 – 3 GHz, 50 Ohms, VSWR = 1:1.3 Max, Insertion Loss = 0.4 dB Connectors Type N Female, Max, Gas Tube Element: 90 V ± 20%, Impulse Breakdown Voltage = 1,000 V ± 20%, Maximum Withstand Current = 5 KA.
<b>CE Conformity</b>	These transmitters are in conformity with the protection requirements of European Council Directives: 89/336/EEC, the EMC Directive and 1999/5/EC, the Telecommunications Directive per EN 300 328, V1.6.1 (2004-11), EN 300 489-1, V1.6.1 (2005-09), EN 300 489-3, V1.4.1 (2002-08) and EN 61326-1997+A1+A2, Electrical Equipment for Measurement, Control and Laboratory Use – EMC Requirements.
<b>Hazardous Location Certifications</b>	See the Model Selection Guide on page 8.

## Physical Specifications

Parameter	Description
Barrier Diaphragms Material	316L SS, Hastelloy C-276
Process Head Material	316 SS
Mounting Bracket	Carbon Steel (zinc-plated) or Stainless Steel angle bracket or Carbon Steel flat bracket available.
Fill Fluid	Silicone DC 200 oil or CTFE (Chlorotrifluoroethylene) Note that DC 704 is available – Please contact Product Marketing.
Electronic Housing	Epoxy-Polyester hybrid paint. Low Copper-Aluminum. Meets NEMA 4X (hosedown and corrosion resistant), IP 66/67 (hosedown and submersible to 1m)
Stainless Steel Housing (option)	316 SS Electronics Housing - with M20 Conduit Connections 316 SS Housing with 1/2" NPT Conduit Connection 316 SS or Grade CF8M, the casting equivalent of 316 SS with M20 or 1/2" NPT Conduit Connection. If ordered with the Remote Antenna options, the antenna parts are not SS or Marine type cables; the integral antenna uses SS parts.
Process Connections	1/2-inch F-NPT, 1/2 inch M-NPT, 9/16 AMINCO, DIN 19213
Mounting	Can be mounted in virtually any position using the standard mounting bracket. Bracket is designed to mount on 2-inch (50 mm) vertical or horizontal pipe. See <a href="#">Figures 2 and 2a.</a>
Dimensions	See <a href="#">Figures 3 and 3a.</a>
Net Weight	9 pounds (4.1 kg)

**NOTE:** Pressure transmitters that are part of safety equipment for the protection of piping (systems) or vessel(s) from exceeding allowable pressure limits, (equipment with safety functions in accordance with Pressure Equipment Directive 97/23/EC article 1, 2.1.3), require separate examination.

## Mounting

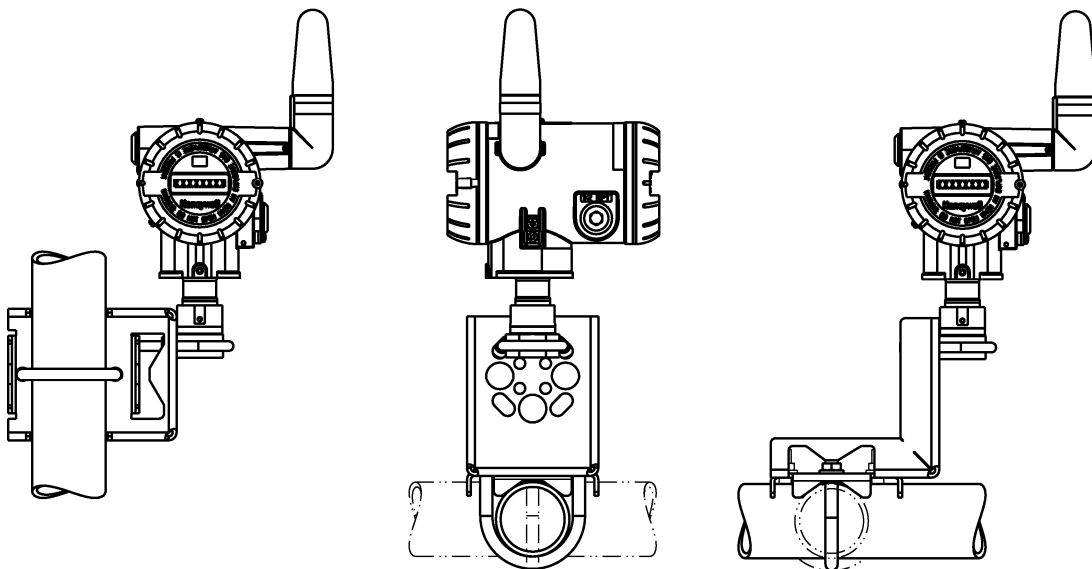


Figure 2a Examples of typical mounting positions for in-line models

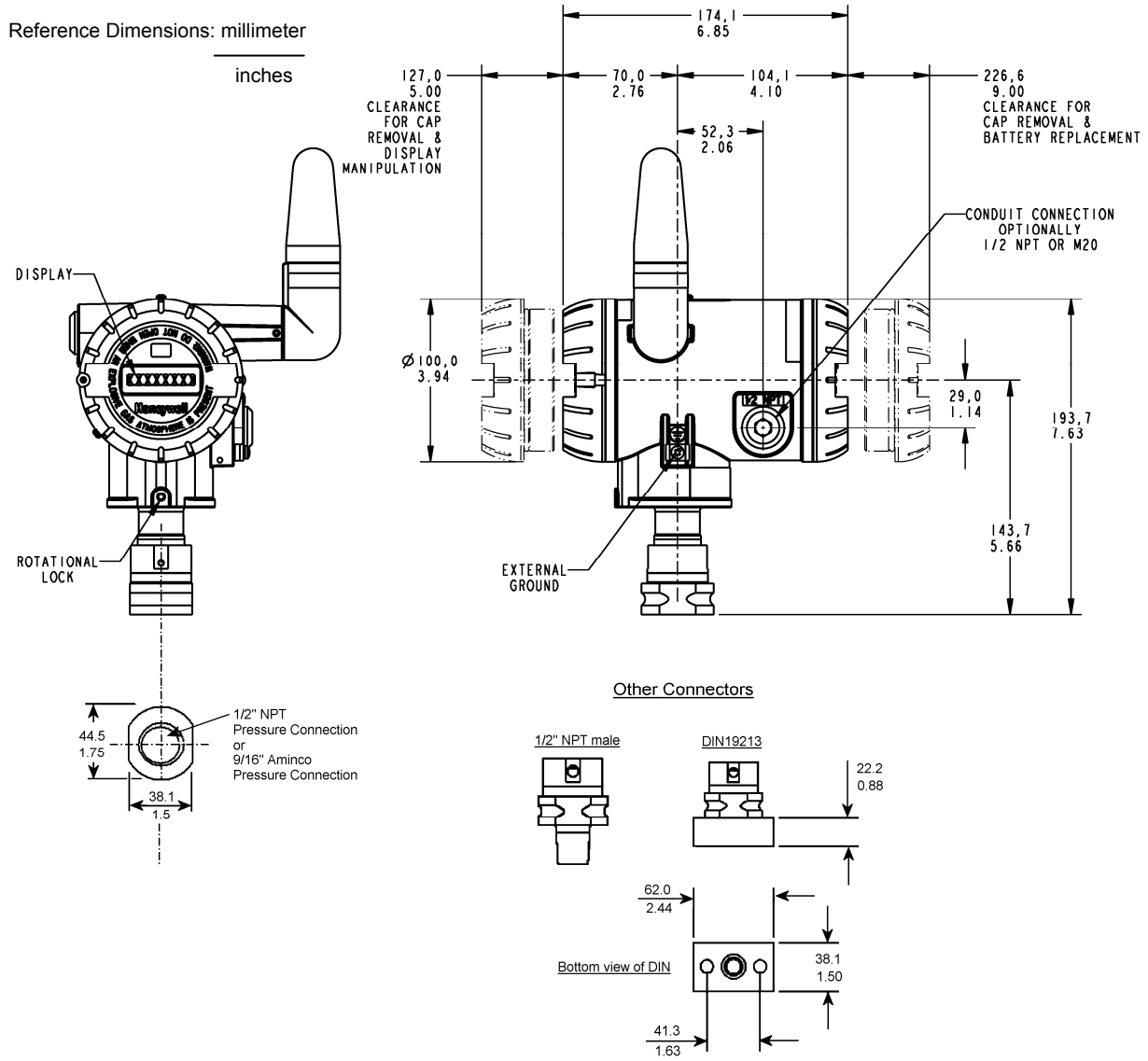


Figure 3a Typical mounting dimensions for in-line models

**Options**

**Mounting Bracket**

The angle mounting bracket is available in either zinc-plated carbon steel or stainless steel and is suitable for horizontal or vertical mounting on a two inch (50 millimeter) pipe, as well as wall mounting. An optional flat mounting bracket is also available in carbon steel for two inch (50 millimeter) pipe mounting.

**Tagging (Option TG)**

Up to 30 characters can be added on the stainless steel nameplate mounted on the transmitter’s electronics housing at no extra cost. A stainless steel wired on tag with additional data of up to 4 lines of 28 characters is also available. The number of characters for tagging includes spaces.

**Transmitter Configuration**

All configurable parameters are accessible via the OneWireless network via READ/WRITE transactions.



Model Selection Guides are subject to change and are inserted into the specifications as guidance only. Prior to specifying or ordering a model check for the latest revision Model Selection Guides which are published at:

<http://hpsweb.honeywell.com/Cultures/en-US/Products/Instrumentation/ProductModelSelectionGuides/default.htm>

**Model Selection Guide (34-XY-16-40)**

**Model Selection Guide (34-XY-16-40)**



Section 13  
Issue 15  
Page 1 of 4

**XYR 6000 Wireless Transmitter  
In-Line Gage & Absolute Pressure  
Series 900**

**Model Selection Guide  
With Price Data**

Honeywell Proprietary



**Instructions**

- Select the desired Key Number. The arrow to the right marks the selection available.
- Make one selection from each table, I and II, using the column below the proper arrow.
- Select as many Table III options as desired (if no options or approvals are desired, specify 0X).
- A (\*) denotes unrestricted availability. A letter denotes restricted availability.  
Restrictions follow Table V.

List Price equals  
the sum of all  
selections made.

Key Number      I      II      III      IV      V  
 | STGW \_\_\_ | - | \_\_\_ | - | 00000 | - | \_\_\_ | - | \_\_\_ | - | \_\_\_ |

KEY NUMBER	Span	Selection	Availability
Gage Pressure	0-20 to 0-500 psig/0-1.4 to 0-35 bar	STGW94L	↓
	0-300 to 0-3000 psig/0-21 to 0-210 bar	STGW97L	↓
	0-500 to 0-6000 psig/0-35 to 0-415 bar	STGW98L	↓
	0-500 to 0-10000 psig/0-35 to 0-690 bar	STGW99L	↓
Abs Pressure	0-20 to 0-500 psia/0-1.4 to 0-35 barA	STAW94L	↓

TABLE I - METER BODY

	Wetted Process Heads	Vent/Drain Valves **	Barrier Diaphragms	Selection		
Material of Construction	316 SS	--	316L SS	E __	•	•
	316 SS	--	Hastelloy C	F __	•	•
Fill Fluid	Silicone			_ 1 _	•	•
	CTFE			_ 2 _	•	•
Process Connection Configuration	9/16" - 18 Aminco			_ _ A	•	•
	1/2" NPT (female)			_ _ G	•	•
	1/2" NPT (male)			_ _ H	•	•
	DIN 19213			_ _ D	•	•

TABLE II

No Selection	00000	•	•
--------------	-------	---	---

TABLE III - ANTENNA OPTIONS

Antennas	Integral Right-angle, vertical 2dBi	V ___	d	d
	Integral Straight, horizontal 2dBi	S ___	d	d
	Integral Right-angle, vertical 4dBi	R ___	d	d
	Remote Omnidirectional, 8 dBi	M ___	p	p
	Remote Directional, 14 dBi	D ___	e	e
	Remote Antenna Adapter, Type N Connection	A ___	d	d
Cable A for Remote Antenna	None	_ 0 _	•	•
	1.0m remote Cable A, Type TNC (Req'd to connect to XYR 6000)	_ 0 1 _	f	f
	3.0m remote Cable A, Type TNC (Req'd to connect to XYR 6000)	_ 0 3 _	f	f
	10.0m remote Cable A, Type TNC (Req'd to connect to XYR 6000)	_ 1 0 _	f	f
	1.0m remote Cable A, Type N (Req'd to connect to XYR 6000)	_ 2 1 _	j	j
	3.0m remote Cable A, Type N (Req'd to connect to XYR 6000)	_ 2 3 _	j	j
	10.0m remote Cable A, Type N (Req'd to connect to XYR 6000)	_ 2 9 _	j	j
Cable B for Remote Antenna w/Accessories*	None	_ _ _ 0 0	•	•
	Accessory + 1.0m Cable B to Antenna, N - N	_ _ _ 0 1	•	•
	Accessory + 3.0m Cable B to Antenna, N - N	_ _ _ 0 3	•	•
	Accessory + 10.0m Cable B to Antenna, N - N	_ _ _ 1 0	•	•

\*See Supplemental Accessories



TABLE IV - OPTIONS	Selection	Availability		
		↓	↓	
<b>Radio Options (Must choose a Radio Option)</b>				
2.4 GHz Frequency Hopping Spread Spectrum (FHSS)	XF	•	•	b
2.4 GHz Direct Sequence Spread Spectrum (802.15.4 DSSS)	XD	•	•	
ISA 100.11a Compliant (2.4 GHz Direct Sequence Spread Spectrum 802.15.4 DSSS-FH)	XS	•	•	
<b>Power Option (Must choose Power Option)</b>				
Battery Holder Only - No Battery Included	00	•	•	b
Battery Power	BA	•	•	
24VDC	DC	•	•	
<b>Transmitter Housing &amp; Electronics Options</b>				
Custom Calibration and I.D. in Memory	CC	•	•	
Transmitter Configuration and ID in Memory	TC	•	•	
M20 Conduit Thread (1/2" NPT is standard)	A1	f	f	b
1/2" NPT to 3/4" NPT 316 SS Conduit Adapter	A2	g	g	
316 SS <sup>1,2</sup> Electronics Housing - with M20 Conduit Connections	SH	•	•	b
316 SS <sup>1,2</sup> Housing with 1/2" NPT Conduit Connection	A3	•	•	
Stainless Steel Customer Wired-On Tag (4 lines, 28 characters per line, customer supplied information)	TG	•	•	b
Stainless Steel Customer Wired-On Tag (blank)	TB	•	•	
End Cap Warning Label in Spanish	SP	•	•	b
End Cap Warning Label in Portuguese	PG	•	•	
End Cap Warning Label in Italian	TL	•	•	
End Cap Warning Label in German	GE	•	•	
<b>Transmitter Mounting Brackets Options</b>				
Mounting Bracket - Carbon Steel	MB	•	•	b
Mounting Bracket - 304 SS	SB	•	•	
Flat Mounting Bracket - Carbon Steel	FB	•	•	
<b>Services/Calibration/Conformance Options</b>				
User's Manual Paper Copy	UM	•	•	b
Clean Transmitter for Oxygen or Chlorine Service with Certificate	OX	h	h	
Over-Pressure Leak Test with F3392 Certificate	TP	•	•	
Calibration Test Report and Certificate of Conformance (F3399)	F1	•	•	
Certificate of Conformance (F3391)	F3	•	•	
<b>Certificate Options</b>				
Certificate of Origin (F0195)	F5	•	•	
NACE Certificate (F0198)	F7	•	•	
<b>Warranty Options</b>				
Additional Warranty - 1 year	W1	•	•	b
Additional Warranty - 2 years	W2	•	•	

<sup>1</sup> Supplied as 316 SS or as Grade CF8M, the casting equivalent of 316 SS.

<sup>2</sup> If ordered with Remote Antenna option, Table III Selection M or D, antenna parts are not SS or Marine type cables

Approval Body	Approval Type	Location or Classification			
No hazardous location approvals			9X	•	•
FM	Intrinsically Safe	Class I, II, III, Div. 1, Groups A,B,C,D,E,F,G; T4, Ta ≤ 85°C; Type 4X Class I, AEx ia IIC; T4, Ta ≤ 85°C, Zone 0; IP66	1C	•	•
	Explosion-proof	Class I, Div. 1, Groups A,B,C,D; Cl II, Div. 1, Groups E, F & G; Cl III, Div. 1, T4, Ta ≤ 85°C; Type 4X Class I, AEx d IIC; T4, Ta ≤ 85°C, Zone 1; IP66			
	Nonincendive	Class I, Div. 2, Groups A,B,C,D; T4, Ta ≤ 85°C; Type 4X			
	Non-Sparking	Class I, AEx nA IIC; T4, Ta ≤ 85°C, Zone 2; IP66			
CSA cus	Nonincendive	Nonincendive, CL I, Div 2, Groups A,B,C & D, CL II & III, Div 2, Groups F & G, T4 Ta = 85°C	2N	•	•
	Non-Sparking	Class I, Ex/AEx nA IIC; T4, Ta ≤ 85°C, Zone 2; IP66			
	Intrinsically Safe	Class I, Div. 1, Gp A,B,C,D; Class II, Div 1, Gp E,F,G; Class III, Div 1; T4, Ta ≤ 85°C; Type 4X Class I, Ex/AEx ia IIC; T4, Ta ≤ 85°C, Zone 0; IP66	2C	•	•
	Explosion-proof	Class I, Div. 1, Groups A,B,C,D; Class II, Div. 1, Groups E, F & G; Class III, Div. 1, T4, Ta ≤ 85°C; Type 4X Class I, Ex/AEx d IIC; T4, Ta ≤ 85°C, Zone 1; IP66			
	Nonincendive	Class I, Div. 2, Groups A,B,C,D; T4, Ta ≤ 85°C; Type 4X			
	Non-Sparking	Class I, Ex/AEx nA IIC; T4, Ta ≤ 85°C, Zone 2; IP66			
ATEX	Intrinsically Safe	Ⓢ II 1 GD; Ex ia IIB; T4, Ta ≤ 70°C, Zone 0; IP66 Ex tD A20 IP66 T90°C	3U	•	•
	Flameproof	Ⓢ II 2 GD; Ex d [ia] IIB; T4, Ta ≤ 70°C, Zone 1; IP66 Ex tD A21 IP66 T90°C	3B	•	•
	Non-Sparking	Ⓢ II 3 GD; Ex nA [nL] IIC; T4, Ta ≤ 84°C, Zone 2 Ex tD A22 IP66 T90°C	3Y	•	•
	Intrinsically Safe	Ⓢ II 1 GD; Ex ia IIB; T4, Ta ≤ 70°C, Zone 0; IP66 Ex tD A20 IP66 T90°C	3C*	•	•
	Flameproof	Ⓢ II 2 GD; Ex d [ia] IIB; T4, Ta ≤ 70°C, Zone 1; IP66 Ex tD A21 IP66 T90°C			
	Non-Sparking	Ⓢ II 3 GD; Ex nA [nL] IIC; T4, Ta ≤ 84°C, Zone 2 Ex tD A22 IP66 T90°C			
Intrinsically Safe	Ex ia IIB; T4, Ta ≤ 70°C, Zone 0; IP66 Ex tD A20 IP66 T90°C				
IECEX Australia & New Zealand	Flameproof	Ex d [ia] IIB; T4, Ta ≤ 70°C, Zone 1; IP66 Ex tD A21 IP66 T90°C	CB	•	•
	Non-Sparking	Ex nA IIC; T4, Ta ≤ 84°C, Zone 2; IP66 Ex tD A22 IP66 T90°C	CY	•	•
	Intrinsically Safe	Ex ia IIB; T4, Ta ≤ 70°C, Zone 0; IP66 Ex tD A20 IP66 T90°C	C1*	•	•
	Flameproof	Ex d [ia] IIB; T4, Ta ≤ 70°C, Zone 1; IP66 Ex tD A21 IP66 T90°C			
	Non-Sparking	Ex nA [nL] IIC; T4, Ta ≤ 84°C, Zone 2; IP66 Ex tD A22 IP66 T90°C			
	Intrinsically Safe	Ex ia IIB; T4, Ta ≤ 70°C, Zone 0; IP66 Ex tD A20 IP66 T90°C			
SAEx South Africa	Flameproof	Ex d [ia] IIB; T4, Ta ≤ 70°C, Zone 1; IP66 Ex tD A21 IP66 T90°C	ZB	•	•
	Non-Sparking	Ex nA [nL] IIC; T4, Ta ≤ 84°C, Zone 2; IP66 Ex tD A22 IP66 T90°C	ZY	•	•
	Intrinsically Safe	Ex ia IIB; T4, Ta ≤ 70°C, Zone 0; IP66 Ex tD A20 IP66 T90°C	ZC*	•	•
	Flameproof	Ex d [ia] IIB; T4, Ta ≤ 70°C, Zone 1; IP66 Ex tD A21 IP66 T90°C			
	Non-Sparking	Ex nA [nL] IIC; T4, Ta ≤ 84°C, Zone 2; IP66 Ex tD A22 IP66 T90°C			
	Intrinsically Safe	Ex ia IIC; T4, Ta ≤ 85°C, Zone 0; IP 66			
INMETRO Brazil	Flameproof	Ex d IIC; T4, Ta ≤ 85°C, Zone 1; IP 66	6C*	•	•
	Non-Sparking	Ex nA IIC; T4, Ta ≤ 85°C, Zone 2; IP 66			

\* The user must determine the type of protection required for installation of the equipment. The user shall then check the box [✓] adjacent to the type of protection used on the equipment certification nameplate. Once a type of protection has been checked on the nameplate, subsequently the equipment shall not be reinstalled using any of the other certification types.

**WARNING** – Division 2 / Zone 2 apparatus may only be connected to processes classified as non-hazardous or Division 2 / Zone 2. Connection to hazardous (flammable or ignition capable) Division 1 / Zone 0, or 1 process is not permitted.

**TABLE V** Av

Country	(Must Choose a Country Code)	Country Code		
North America, Canada		NA00	•	•
European Union		EU00	•	•
Japan		JP00	m	m

Section 13  
Issue 15  
Page 4 of 4

Honeywell Proprietary

**RESTRICTIONS**

Restriction	Available Only With		Not Available With	
	Letters	Table Selection	Table	Selection
a		Approvals Pending		
b		Select only one option from this group		
d	III	00 00		
e			III	00
f			IV	SH, A3
g			IV	BA, SH, A1
h	I	2		
j	IV	SH, A3		
m	IV	9X		
p			V	JP00

See ST-95 and User's Manual for part numbers.  
To request a quotation for a non-published "special", fax RFQ to 602-313-6155 or email to ace@honeywell.com

## Supplemental Accessories & Kits

Description	Part Number	List Price
1/2 NPT Socket Plug (ZN Plated CS)	50021832-001	**
1/2 NPT Certified Conduit Plug (SS)	50021832-002	**
M20 Certified Conduit Plug (SS)	50000547-001	**
M20 Conduit Plug (ZN Plated CS)	50000547-002	**
Surge Diverter*	50018279-090	**
Lithium Thionyl Chloride Batteries (Qty 2)	50026010-501	**
Lithium Thionyl Chloride Batteries (Qty 4)	50026010-502	**
Lithium Thionyl Chloride Batteries (Qty 10)	50026010-503	**

\* Surge Diverter Accessory supplied with Table III, Selections XXX01, XXX03, XXX10  
\*\* Consult Honeywell Order Entry Systems for current parts pricing.

Specifications are subject to change without notice.

OneWireless and XYR are trademarks and Experion is a registered trademark of Honeywell International Inc.

**For More Information**

Learn more about how Honeywell's Wireless Transmitter Absolute Pressure Model can provide simple, safe, and secure wireless technology, visit our website [www.honeywell.com/ps/hfs](http://www.honeywell.com/ps/hfs) or contact your Honeywell account manager.

**Honeywell Process Solutions**

1860 West Rose Garden Lane  
Phoenix, Arizona 85027  
Tel: 1-800-423-9883 or 1-800-343-0228  
[www.honeywell.com/ps](http://www.honeywell.com/ps)

34-XY-03-23  
November 2010  
© 2011 Honeywell International Inc.

The Honeywell logo is displayed in a bold, red, sans-serif font.