

Ultrasonic Flow for Lubricant Measurement



Application Description

Esperanza Mining is a greenfield project at the new large copper mining plant located in Chile, almost 2000 km from Santiago.

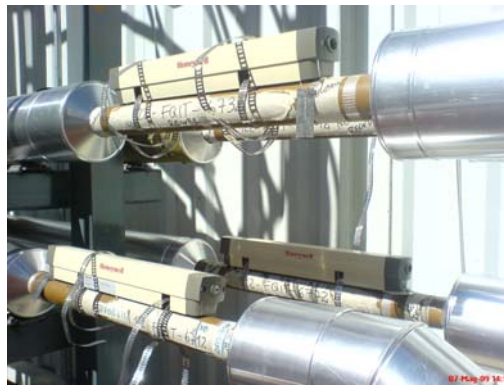
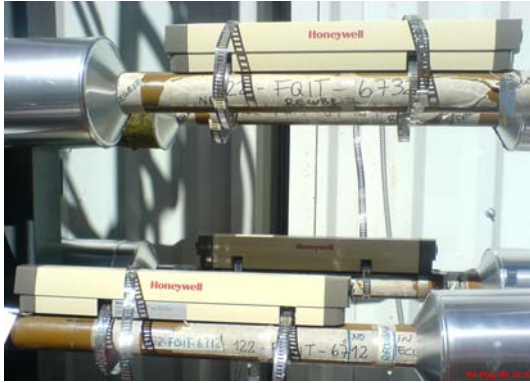
Esperanza Mining uses large trucks which can transport around 400 tons of ore. These trucks are very unique and they rely on specialized garage facilities in order to maintenance them.



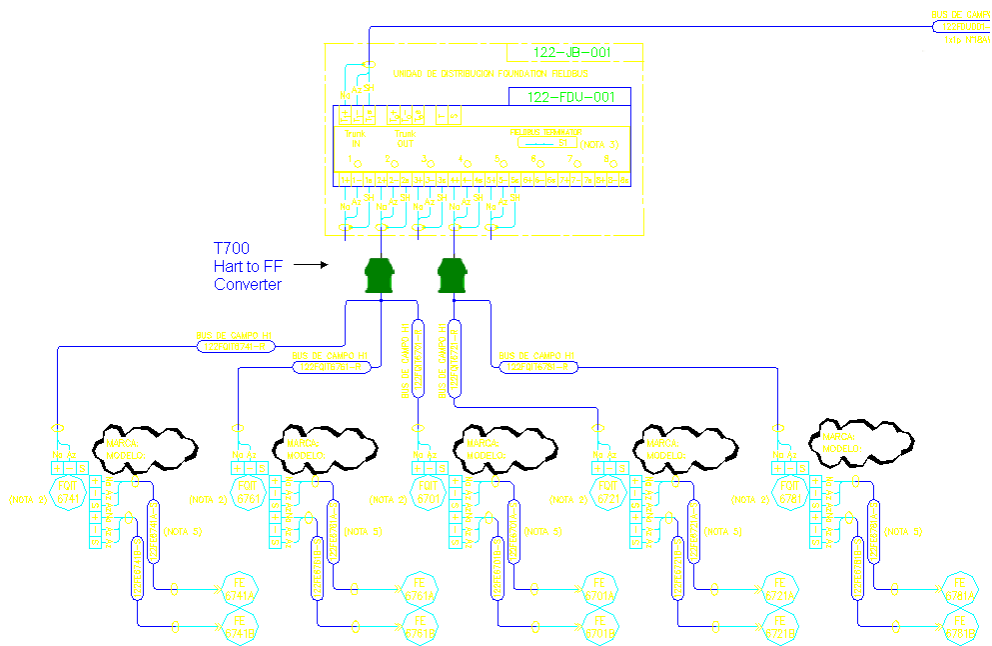
Honeywell VersaFlow Ultrasonic transmitters are located at the lubricant plant feeding into the garage of trucks. The application consists of volume flow measurement at nine points:

- Flow measurement of transmission Oil SAE-30, TAG: 122-FE/FQIT-6701.
- Flow measurement of transmission Oil SAE-30, TAG: 122-FE/FQIT-6712.
- Flow measurement of transmission Oil SAE-30, TAG: 122-FE/FQIT-6721.
- Flow measurement of transmission Oil SAE-60, TAG: 122-FE/FQIT-6732.
- Flow measurement of refrigerator, TAG: 122-FE/FQIT-6741.
- Flow measurement of Oil 15W-40, TAG: 122-FE/FQIT-6761.
- Flow measurement of Oil 15W-40, TAG: 122-FE/FQIT-6772.
- Flow measurement of Hydraulic Oil SAE-10, TAG: 122-FE/FQIT-6781.
- Flow measurement of Hydraulic Oil SAE-10, TAG: 122-FE/FQIT-6792.

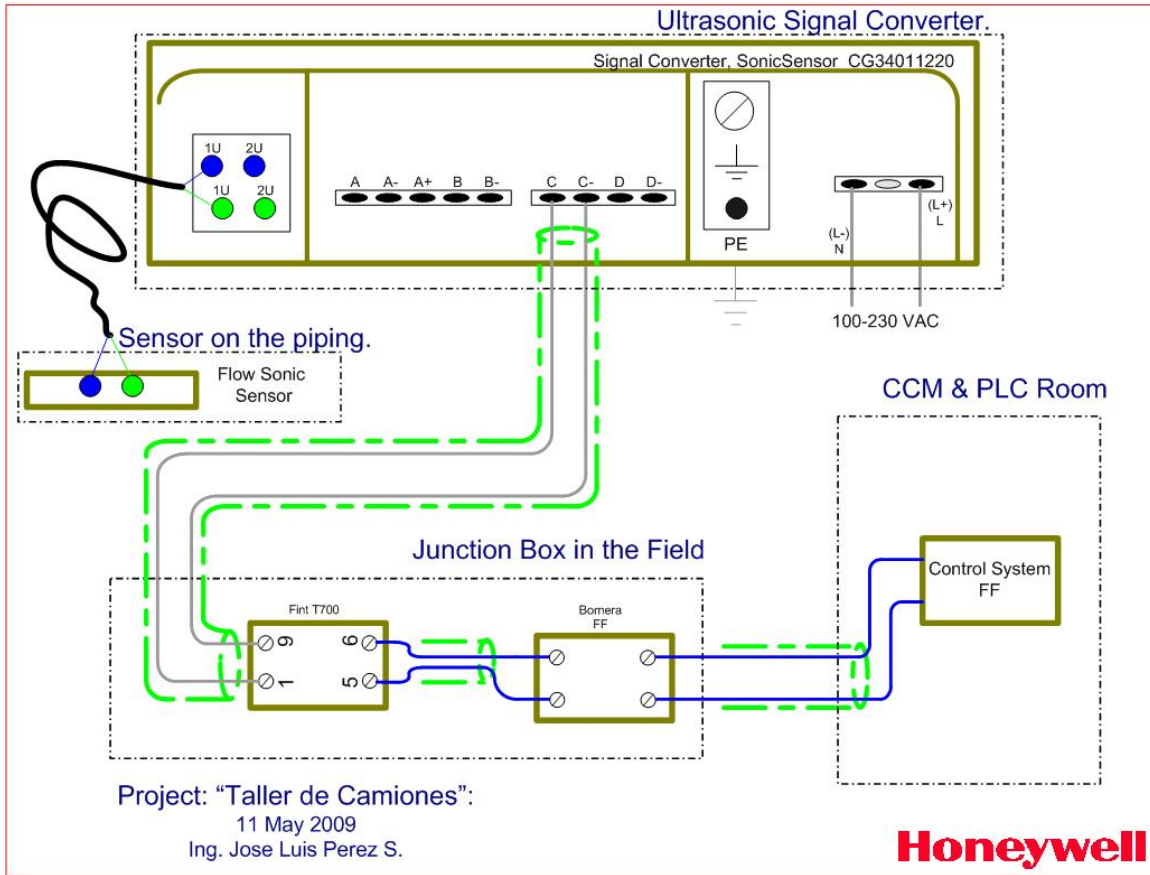
The sensors are mounted as shown in the following images:



The connected wiring of each VersaFlow Converter is shown in the following figure:



This drawing shows five of the nine flowmeters, and the connection is as follows:



More Information

For more information on Ultrasonic Flow for Lubricant Measurement, visit <http://www.honeywell.com/ps/hfs> or contact your Honeywell account manager.

Automation & Control Solutions

Process Solutions
 Honeywell
 1860 W Rose Garden Lane
 Phoenix, AZ 85027
 Tel: 800-822-7673
www.honeywell.com/ps

SO-10-12-ENG
 May 2010
 © 2010 Honeywell International Inc.

